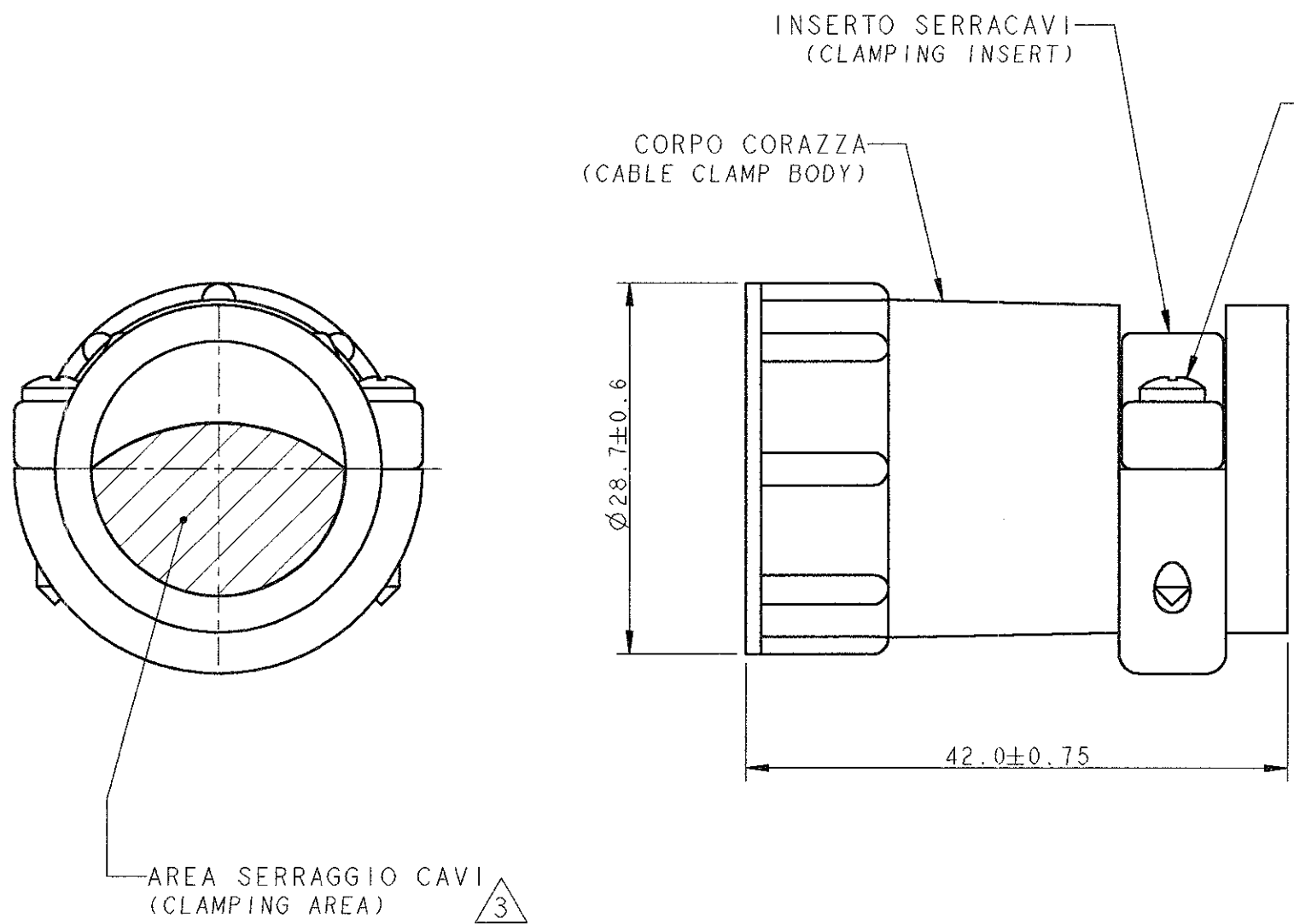


LOC	DIST	REVISIONS			
P	LTR	DESCRIPTION	DATE	DWN	APVD
	B	REDRAWN, ET00-0298-00	17 Nov '00	RE	CT
	C	Changed screw according to RoHS	28/07/05 ECR7789	AV	GT



- 1) MATERIALE : TERMOPLASTICO, COLORE NERO  
(MATERIAL : THERMOPLASTIC, BLACK COLOUR)
- 2) PARTICOLARI FORNITI NON ASSEMBLATI IN SACCHETTO DI PLASTICA  
(PARTS PACKAGED UNASSEMBLED INTO A PLASTIC BAG)
- 3 L'AREA SERRAGGIO CAVI E' VARIABILE DA 64.5 A 264.5 mm<sup>2</sup>  
IN FUNZIONE DEL TIPO E POSIZIONE DELL'INSERTO SERRACAVO  
(CABLE CLAMPING AREA ADJUSTABLE FROM .100 TO .410 SQ. IN.  
BY SELECTING AND REVERSING CLAMPING INSERTS)
- 4) QUESTO CONNETTORE E' RICONOSCIUTO E CERTIFICATO   
(THIS CONNECTOR IS UL RECOGNIZED AND CSA CERTIFIED)
- 5) Ø MAX DEL FASCIO CAVI = 17.9 mm.  
(MAXIMUM CABLE O.D. = .703 IN.)

P/N 182661-1 COME RAPPRESENTATO  
(P/N 182661-1 AS SHOWN)

THIS DRAWING IS A CONTROLLED DOCUMENT FOR AMP INCORPORATED. IT IS SUBJECT TO CHANGE AND THE CONTROLLING ENGINEERING ORGANIZATION SHOULD BE CONTACTED FOR THE LATEST REVISION.		DWN R. FABRIZI	AMP Italia S.p.A. C.so F.lli Cervi, 15 COLLEGNO (TO)	
DIMENSIONS: mm		CHK -	NAME C.P.C. CABLE CLAMP KIT	
TOLERANCES UNLESS OTHERWISE SPECIFIED: 0 PLC ± 1 PLC ± ±0.3 2 PLC ± ± 3 PLC ± ± 4 PLC ± ± ANGLES ±2°		APVD C. TARTARI	SIZE A3	
MATERIAL -		PRODUCT SPEC 108-10024	CAGE CODE 00779	DRAWING NO C=182661
FINISH -		APPLICATION SPEC -	SCALE 2:1	SHEET 1 OF 1
CUSTOMER DRAWING		WEIGHT -	REV C	